



**Safety storage under bench cabinet UB-S-90  
Model UB90.080.059.060.S, light grey (RAL 7035)**

**Safe and approved storage of flammable hazardous substances in working areas**

**Function / construction:**

- **Robust construction and longevity:** body made of powder-coated sheet steel
- **User-friendly:** drawer remains open in any position, interior of drawer completely visible – access to all containers
- **Safe:** drawer fitted with earthing wire incl. clamp as standard, seal welded sump, drawers are self-closing in the event of fire
- **No unauthorised use:** drawer lockable with cylinder lock and locking state indicator (red/green)
- **Mobile:** castors with plinth (optionally available), easy moving of the cabinet
- **Ventilation:** integrated air ducts ready for connection (DN 50) to a technical exhaust system

**Dimensions**

<b>Width (external)</b>	593.00 mm
<b>Depth (external)</b>	600.00 mm
<b>Height (external)</b>	800.00 mm
<b>Width (internal)</b>	470.00 mm
<b>Depth (internal)</b>	482.00 mm
<b>Height (internal)</b>	702.00 mm

The available internal dimensions can vary depending on the interior equipment package.

**Weight / Load**

<b>Weight without interior equipment</b>	143 kg
<b>Distributed load</b>	467.00 kg/m <sup>2</sup>
<b>Maximum load</b>	300 kg

**Ventilation**

<b>Extraction air</b>	50 DN
<b>minimum exhaust air quantity 10 times</b>	2 m <sup>3</sup> /h
<b>Pressure drop inside the cabinet</b>	1 Pa

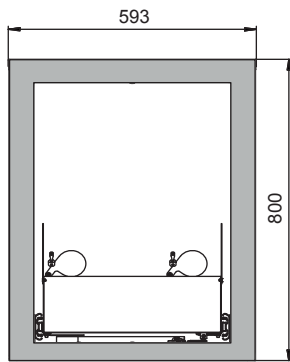
**Colouring / Surface finish**

<b>Body colour code</b>	RAL 7035
<b>Body colour</b>	Light grey
<b>Body surface finish</b>	plain
<b>Door / Drawer colour code</b>	RAL 7035
<b>Door / Drawer colour</b>	Light grey
<b>Door / Drawer surface finish</b>	plain

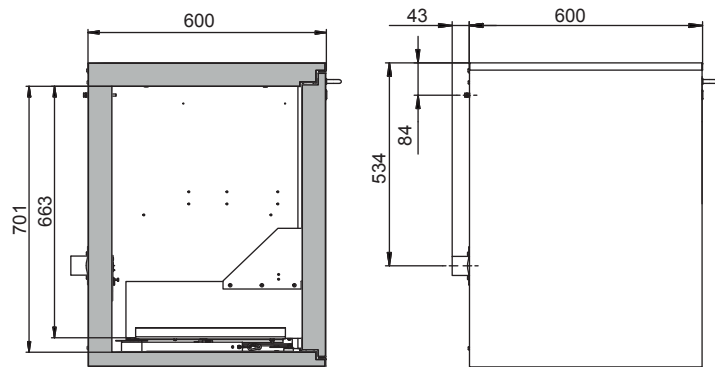
**General Information**

<b>Number of drawers</b>	1
<b>Capacity drawer</b>	21.5 litres
<b>Customs tariff number</b>	94032080

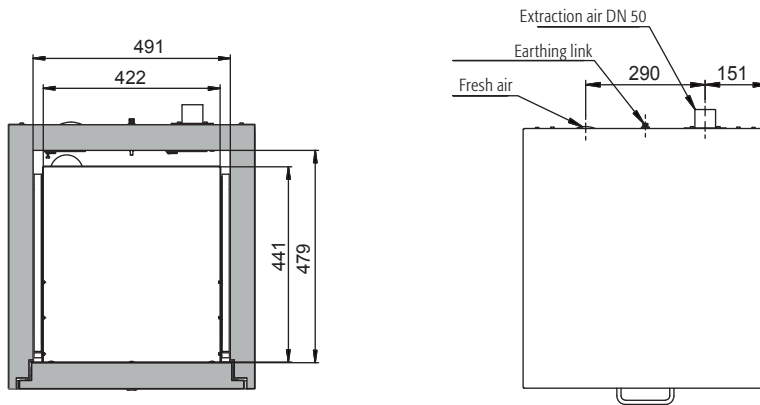
Front view



Side view



Top view



Standard TPE configuration:

001 (RAL 7035 colour - light grey)

35378 (Main drawer with perforated SS insert, 2nd higher drawer inside)

31360 (Adds 30mm castors)

