



Dimensions

Width (external)	1102.00 mm
Depth (external)	600.00 mm
Height (external)	800.00 mm
Width (internal)	979.00 mm
Depth (internal)	482.00 mm
Height (internal)	702.00 mm

The available internal dimensions can vary depending on the interior equipment package.

Weight / Load

Weight without interior equipment	233 kg
Distributed load	302.00 kg/m ²
Maximum load	300 kg

Ventilation

Extraction air	50 DN
minimum exhaust air quantity 10 times	2 m ³ /h
Pressure drop inside the cabinet	1 Pa

Colouring / Surface finish

Body colour code	RAL 7035
Body colour	Light grey
Body surface finish	plain
Door / Drawer colour code	RAL 7035
Door / Drawer colour	Light grey
Door / Drawer surface finish	plain

General Information

Number of drawers	2
Capacity drawer	21.5 litres
Volume of drawer 2	21.5 litres
Customs tariff number	94032080

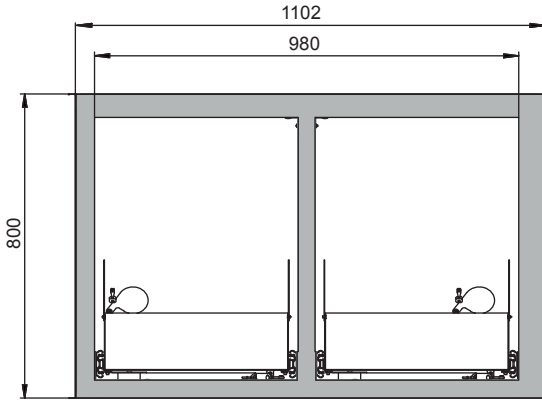
**Safety storage under bench cabinet UB-S-90
Model UB90.080.110.060.2S, light grey (RAL 7035)**

Safe and approved storage of flammable hazardous substances in working areas

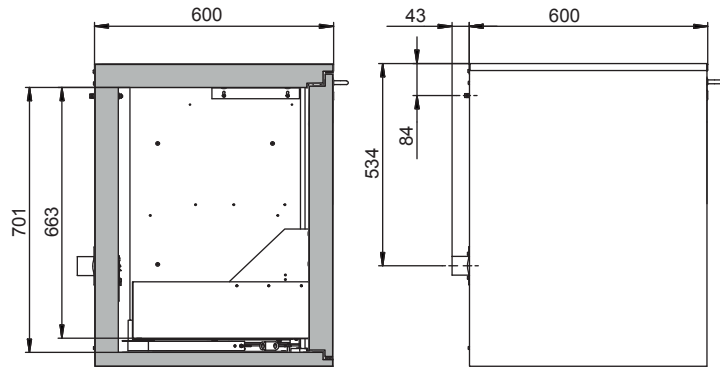
Function / construction:

- **Robust construction and longevity:** body made of powder-coated sheet steel
- **User-friendly:** drawers remain open in any position, interior of drawers completely visible – access to all containers
- **Safe:** drawers fitted with earthing wire incl. clamp as standard, seal welded sump, drawers are self-closing in the event of fire
- **No unauthorised use:** drawers lockable with cylinder lock and locking state indicator (red/green)
- **Mobile:** castors with plinth (optionally available), easy moving of the cabinet
- **Ventilation:** integrated air ducts ready for connection (DN 50) to a technical exhaust system

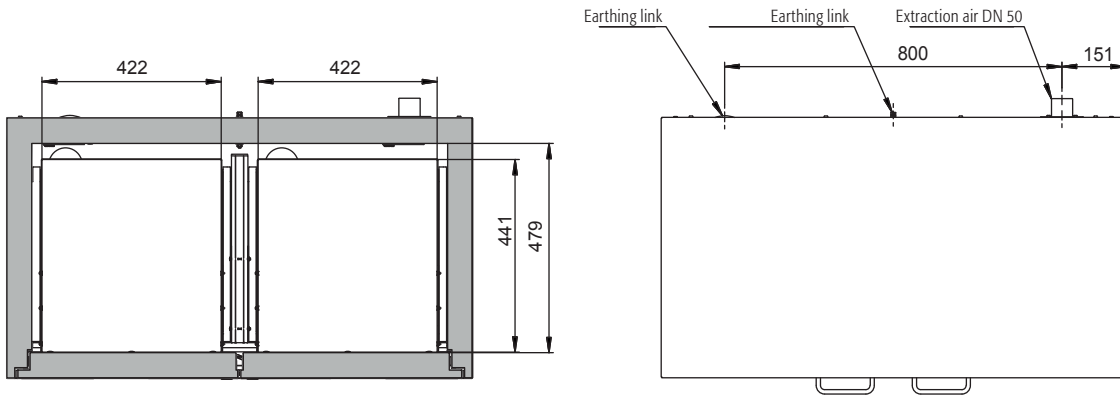
Front view



Side view



Top view



Standard TPE configuration:

001 (RAL 7035 colour - light grey)

35374 (Main drawers with perforated SS inserts, 2nd higher drawers inside)

31358 (Adds 30mm castors)

